

IMPORTANT NOTES

THIS STAND MUST BE USED ONLY WITH THE TV WHICH IT SUPPLIED.

DO NOT USE ANY SCREWS OTHER THAN THOSE PROVIDED.

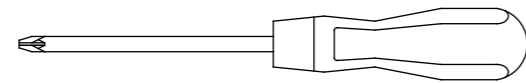
DO NOT USE SOLVENTS FOR CLEANING. USE A DAMP CLOTH TO REMOVE ANY HANDLING OR PACKAGING MARKS.

GLASS SUPPLIED HAS BEEN TOUGHENED TO TO BRITISH STANDARD BS 6206A - HANDLE WITH CARE.





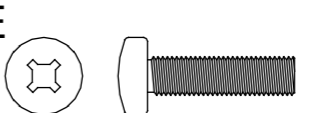
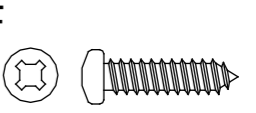
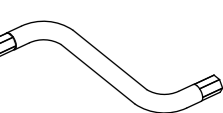
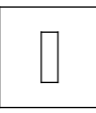
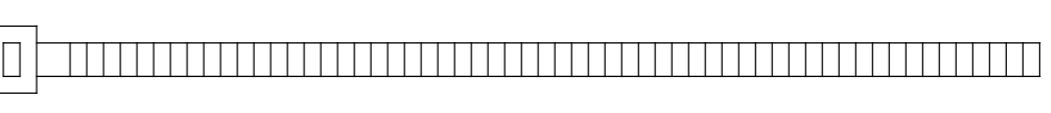
DO NOT ATTEMPT TO MOVE THE ASSEMBLY WITH THE TV ATTACHED AS THIS MAY RESULT IN PARTS BEING DAMAGED.

RK - C37FS1 FLOORSTAND

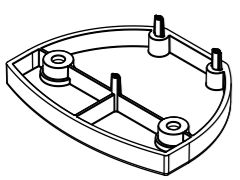
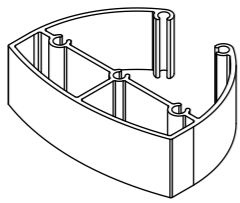
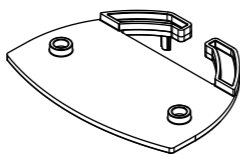
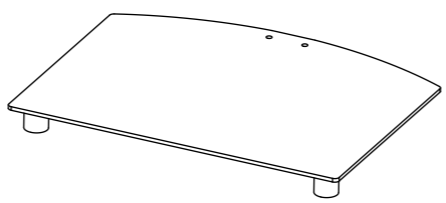
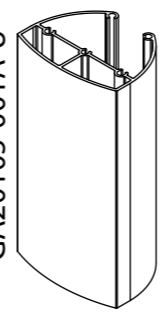
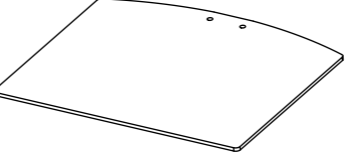
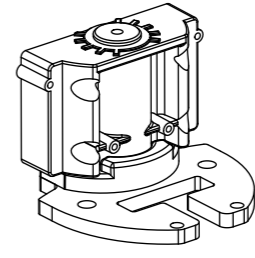
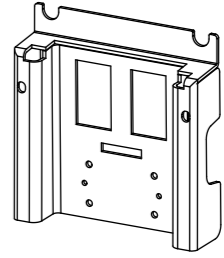
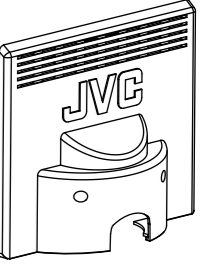
ASSEMBLY INSTRUCTIONS
(TO BE RETAINED BY CUSTOMER)

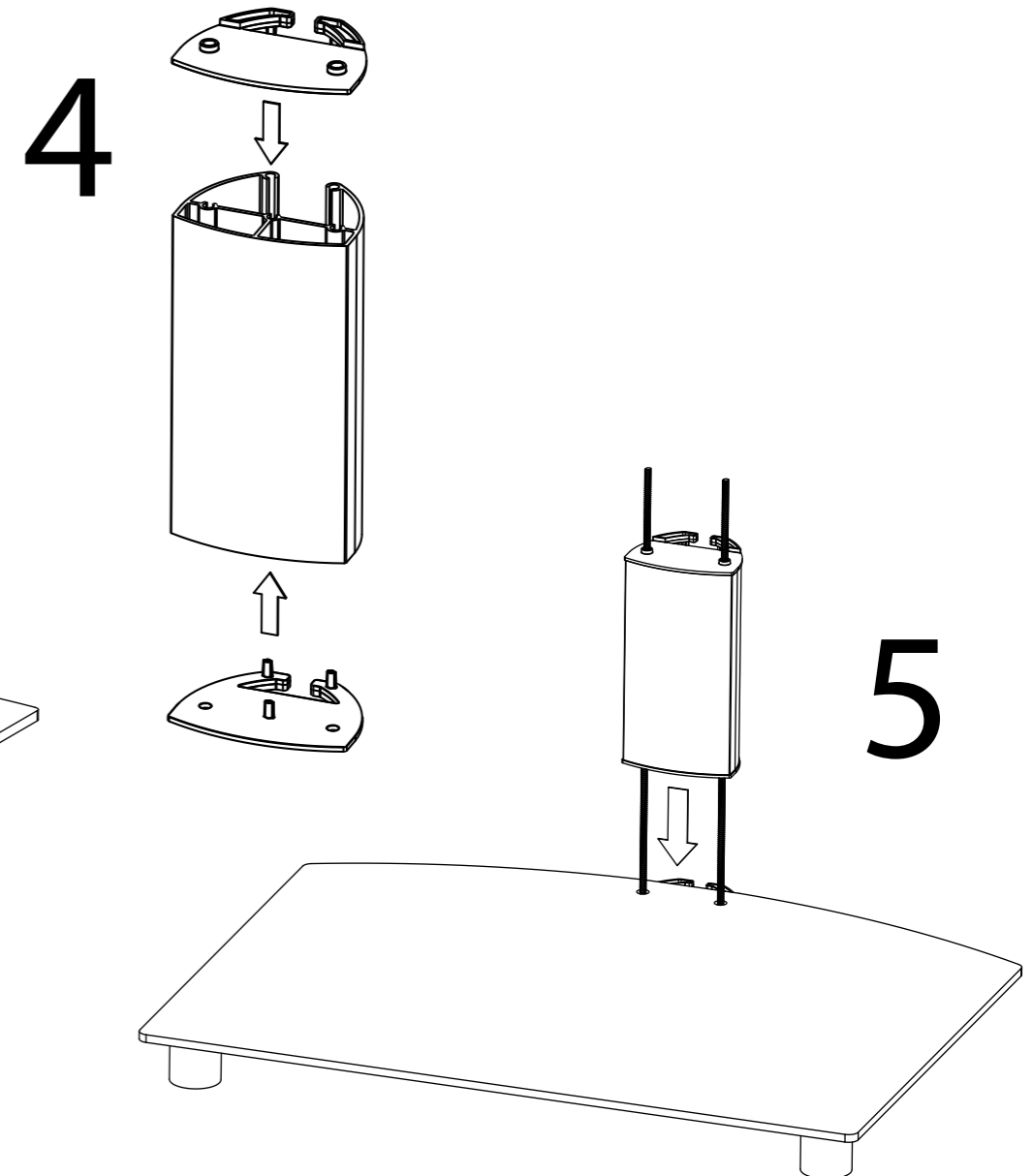
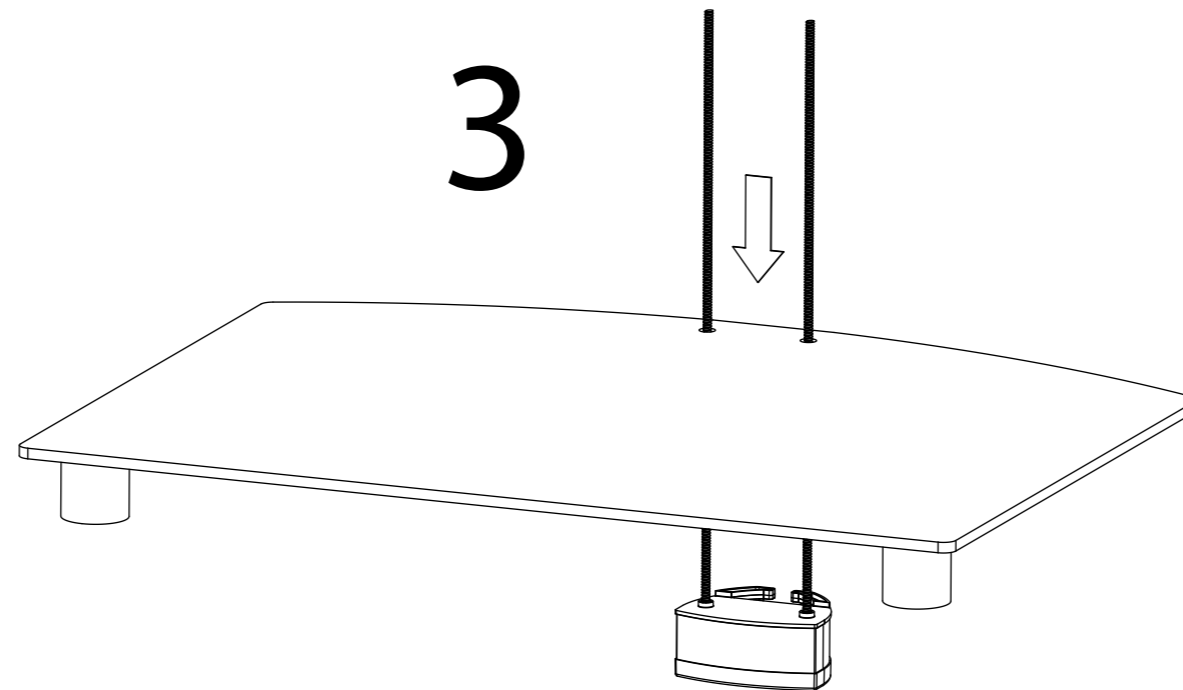
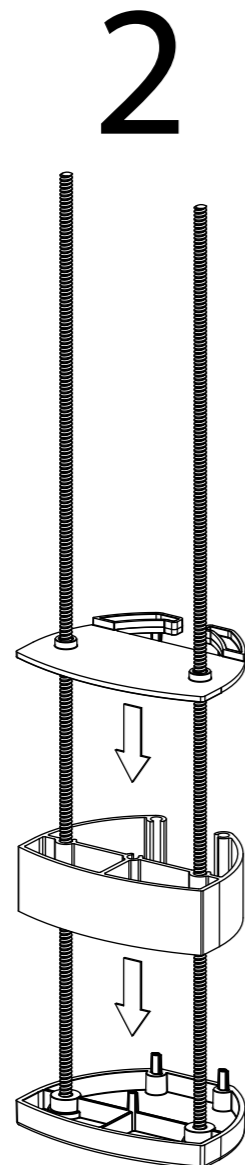
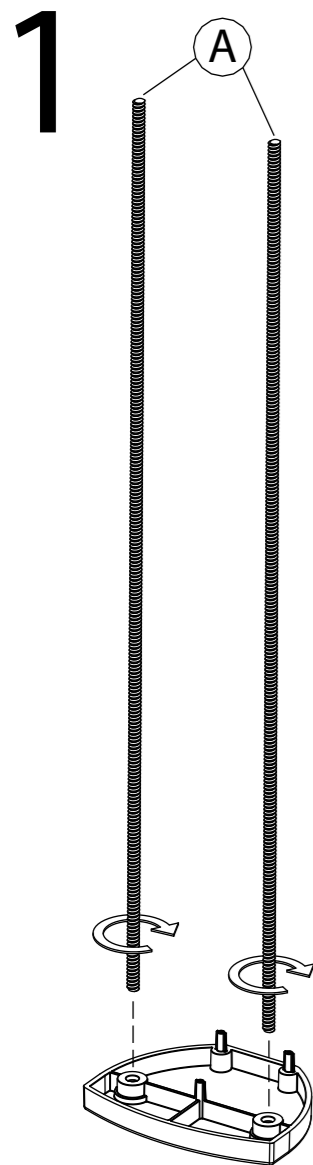


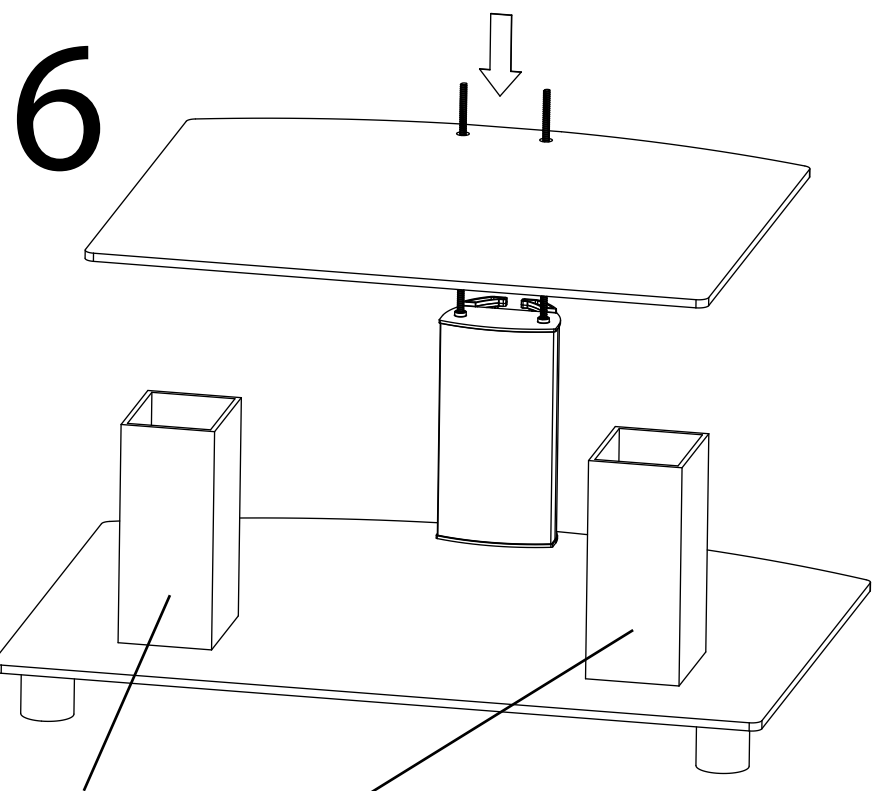
TOOLS REQUIRED

A  GA20109-001A-U x2	
B  x2	C  x2
D  x2	E  x4
F  x2	 x1
G  x2	H  x2

FIXING KIT PART No :
KIT T0343
GA40093-001A-U

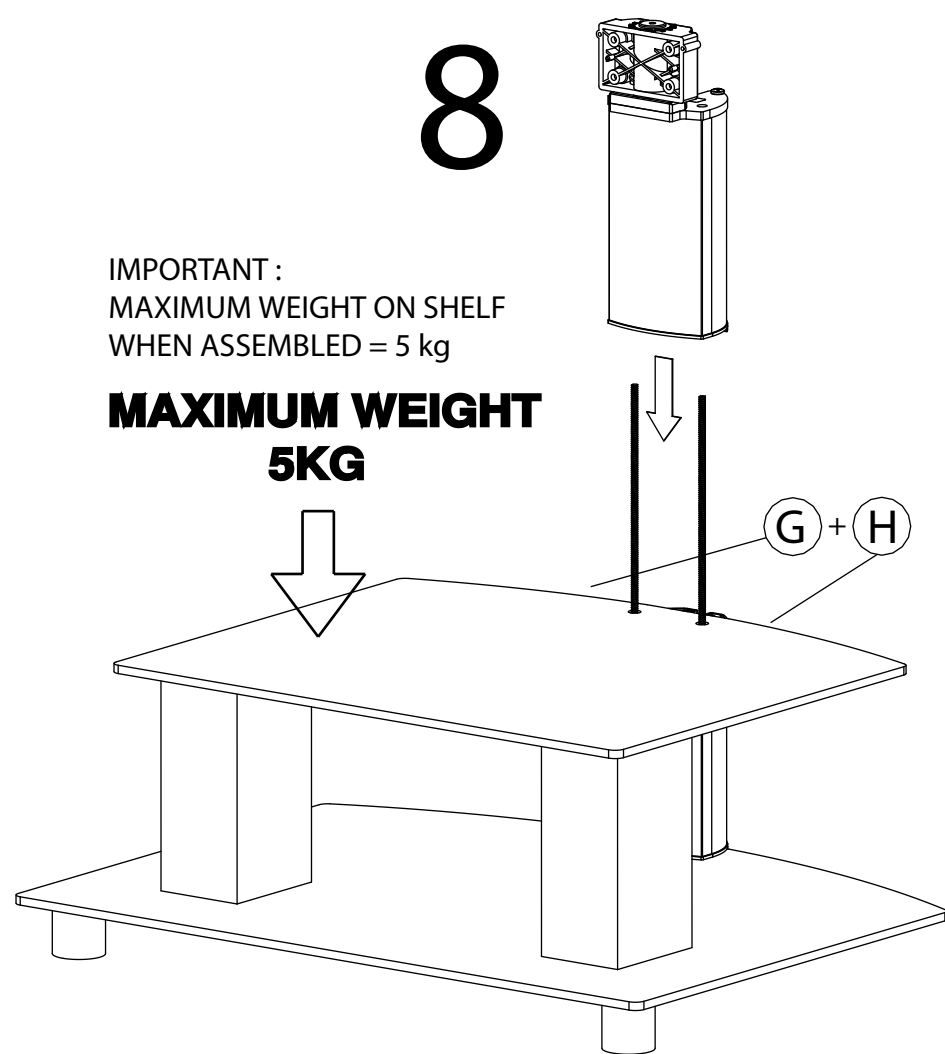
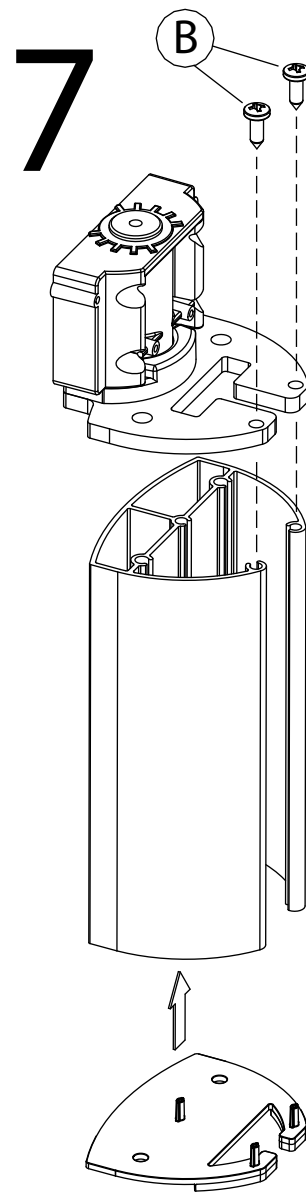
FOOT  GA30102-001A-U x1	SHORT EXTRUSION  GA20104-001A-U x1	SPACER  GA30103-001A-U x4	GLASS BASE WITH FEET  GA10144-001A-U x1	TALL EXTRUSION  GA20105-001A-U x2	GLASS SHELF  GA10145-001A-U x1	TOP PLATE ASSEMBLY  GA20106-001A-U x1	TV FIXING BRACKET  GA20107-001A-U x1	REAR COVER  GA20108-001A-U x1
--	---	--	---	--	---	--	---	--





6

THESE CARDBOARD RECTANGLES ARE PART OF THE PACKAGING. USE THEM TO SUPPORT THE GLASS SHELF DURING ASSEMBLY. POSITION THEM ON THE GLASS BASE BEFORE LOWERING THE GLASS SHELF.

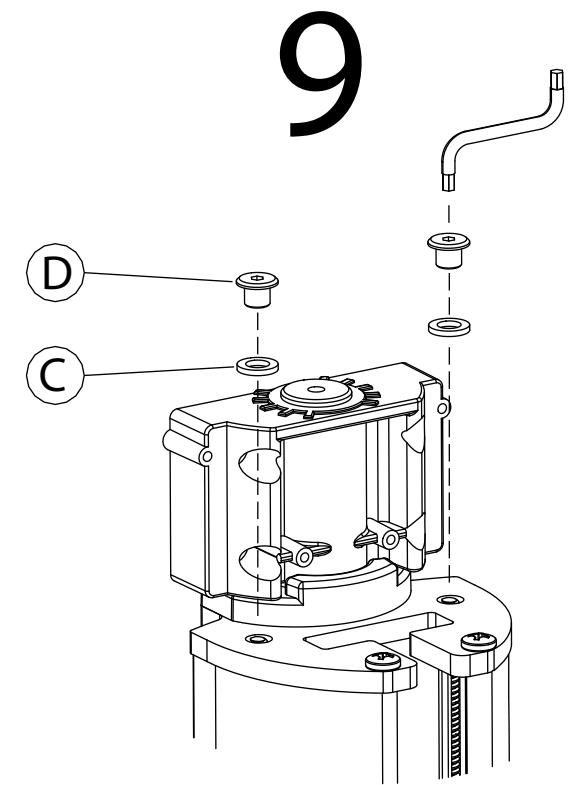


8

IMPORTANT :
MAXIMUM WEIGHT ON SHELF
WHEN ASSEMBLED = 5 kg

**MAXIMUM WEIGHT
5KG**

FIT CABLE TIES 'G' AND 'H' TO THE UNDERSIDE OF THE GLASS SHELF

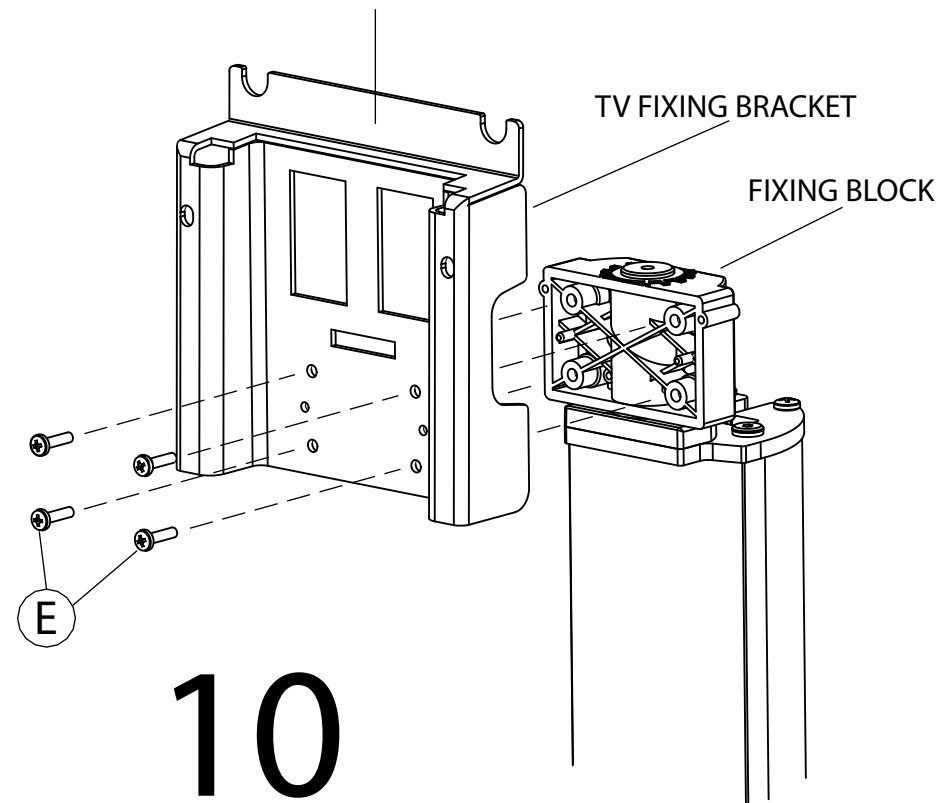


9

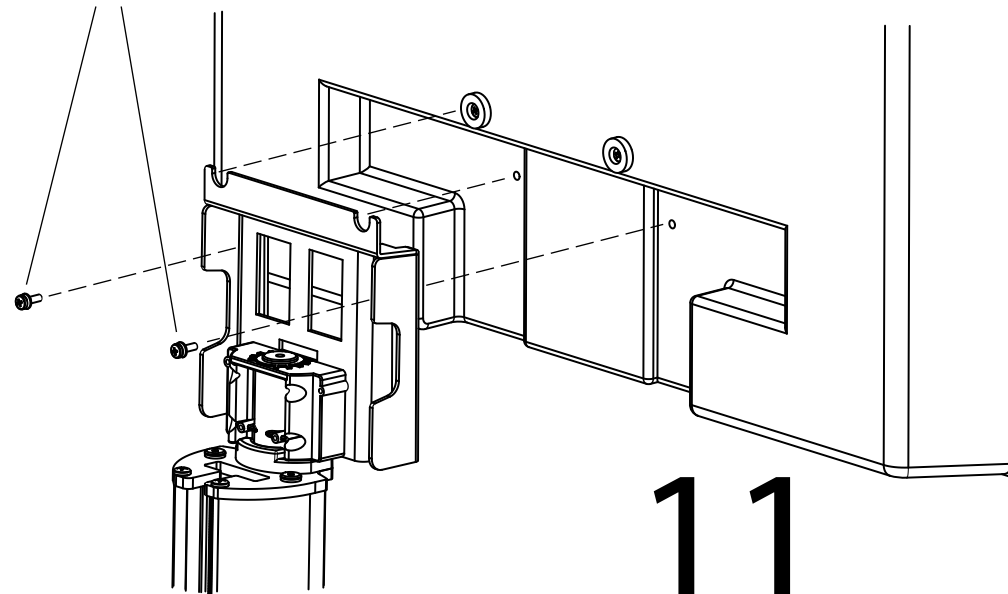
MAKE SURE THAT PARTS 'D' ARE FULLY TIGHTENED.

REMOVE CARDBOARD RECTANGLES.

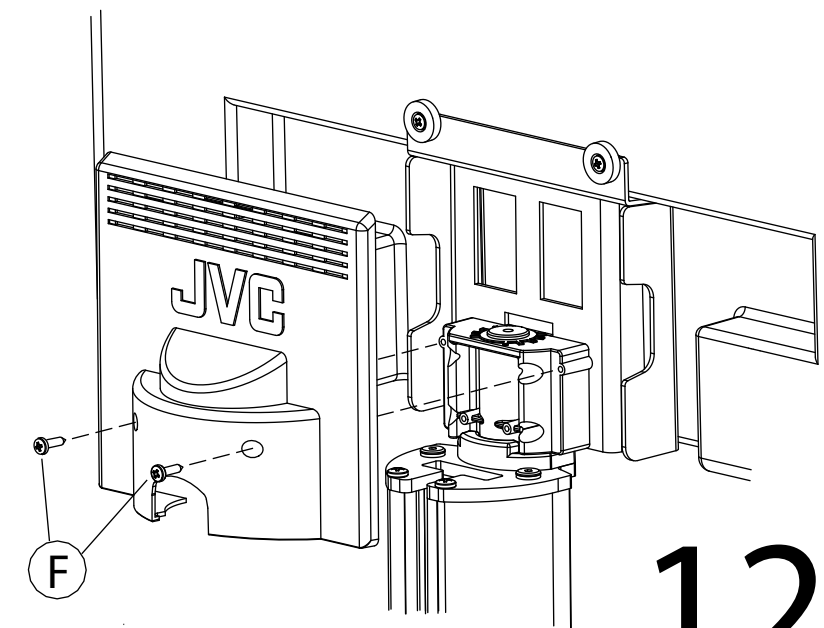
HOLD THE TV FIXING BRACKET IN THE MIDDLE AT THE TOP DURING ASSEMBLY. MAKE SURE IT IS HORIZONTAL WITH THE FIXING BLOCK



UNSCREW THESE PARTS FROM THE BACK OF THE TV. WITH ASSISTANCE ALIGN THE TV AGAINST THE TV FIXING BRACKET. REUSE THE PARTS TO SECURE THE TV TO THE BRACKET. DO NOT OVERTIGHTEN SCREWS.



FIX THE REAR COVER TO THE TV TO HIDE YOUR CABLES WHEN YOU HAVE CONNECTED ALL YOUR AUDIO VISUAL UNITS.



12